



SUPERLIGHT HLP1006 MINIATURE LED LIGHTING PROFILE

A miniature LED mounting profile suitable for discrete recessed applications in joinery, furniture and other discrete lighting applications where a compact solution is desired.

Profile Dimensions
11.2x5.8mm

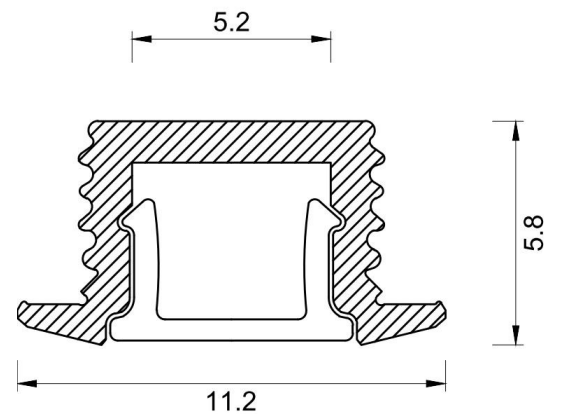
Standard Profile Length
Custom lengths as required

Installation Options
Recess Installation
Embedded installation

Optional Accessories
End Cap Kit

Lens/Diffuser
Opal polycarbonate diffuser insert

Available Finishes
Anodised Silver
Enamel Coating
Dulux Powdercoat



Customised Profiles can be designed and made to order on a bespoke basis. Contact our representative for more information. Please re-confirm product details prior to ordering. Actual specifications ordered may vary. www.superlight.com.au www.superlight.co.nz

SUPERLIGHT