



**SUPERLIGHT HLP3113 LED MOUNTING PROFILE WITH OPAL DIFFUSER**

SUPERLIGHT HLP3113 is a solid fixed mounting profile that can accommodate a variety of LED light sources and applications. Features higher density polycarbonate diffuser for high trafficable areas.

**Profile Dimensions**  
14.5x15.7mm

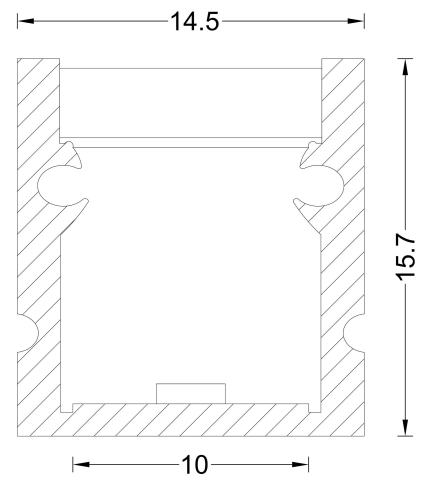
**Standard Profile Length**  
Custom lengths as required

**Installation Options**  
Surface Mounted  
Trimless / Recessed

**Optional Accessories**  
End Cap Kit  
Steel Fixing Clips

**Lens/Diffuser**  
Opal polycarbonate diffuser insert

**Available Finishes**  
Anodised Silver  
Dulux Powdercoat



Customised Profiles can be designed and made to order on a bespoke basis. Contact our representative for more information. Please re-confirm product details prior to ordering. Actual specifications ordered may vary. [www.superlight.com.au](http://www.superlight.com.au) [www.superlight.co.nz](http://www.superlight.co.nz)

**SUPERLIGHT**