



SUPERLIGHT HLP3114 LED MOUNTING PROFILE WITH OPAL DIFFUSER

SUPERLIGHT HLP3114 is a popular profile for use in residential lighting applications. Can be used for general purpose lighting, joinery lighting and is an excellent general mounting accessory for any LED striplighting project.

Profile Dimensions
17.5x8mm

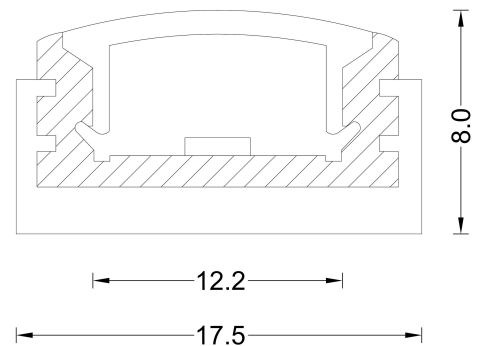
Standard Profile Length
Custom lengths as required

Installation Options
Surface Mounted
Trimless / Recessed

Optional Accessories
End Cap Kit
Metal Fixing Clips

Lens/Diffuser
Opal polycarbonate diffuser insert

Available Finishes
Anodised Silver
Dulux Powdercoat
Custom Anodised Finish by Request



Customised Profiles can be designed and made to order on a bespoke basis. Contact our representative for more information. Please re-confirm product details prior to ordering. Actual specifications ordered may vary. www.superlight.com.au www.superlight.co.nz

SUPERLIGHT