



SUPERLIGHT HLP4103 DEEP RECESSED JOINERY LED MOUNTING PROFILE

SUPERLIGHT HLP4103 is a recessed lighting extrusion for joinery lighting such as kitchen lighting, display cabinets etc.

Profile Dimensions
24.6x17.5mm

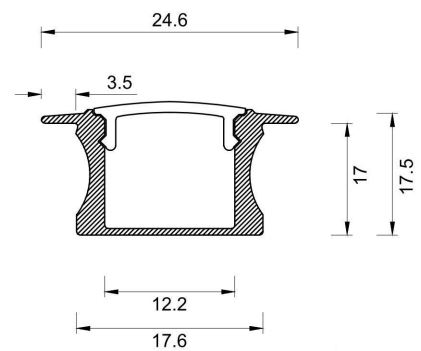
Standard Profile Length
Custom lengths as required

Installation Options
Recess Installation
Embedded installation

Optional Accessories
End Cap Kit

Lens/Diffuser
Opal PMMA Acrylic diffuser insert

Available Finishes
Anodised Silver
Matt Black / Matt White
Dulux Powdercoat Options



Customised Profiles can be designed and made to order on a bespoke basis. Contact our representative for more information. Please re-confirm product details prior to ordering. Actual specifications ordered may vary. www.superlight.com.au www.superlight.co.nz

SUPERLIGHT