



**SUPERLIGHT HLP4104 SURFACE MOUNTED JOINER LED MOUNTING PROFILE**

SUPERLIGHT HLP4104 is a general purpose profile extrusion for linear lighting applications. Suitable for use in residential or commercial joinery projects. Supplied with opal diffuser.

**Profile Dimensions**  
16x16mm

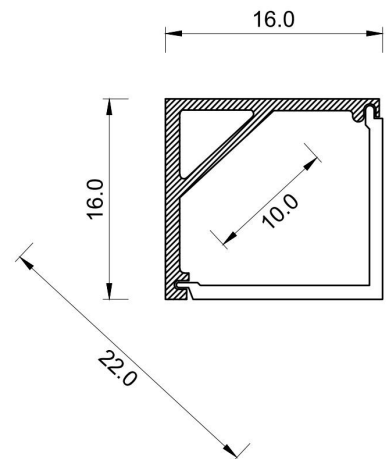
**Standard Profile Length**  
Custom lengths as required

**Installation Options**  
Surface Mounted

**Optional Accessories**  
End Cap Kit  
Mounting Clips

**Lens/Diffuser**  
Opal PMMA Acrylic diffuser insert

**Available Finishes**  
Anodised Silver  
Matt Black / Matt White  
Dulux Powdercoat Options



Customised Profiles can be designed and made to order on a bespoke basis. Contact our representative for more information. Please re-confirm product details prior to ordering. Actual specifications ordered may vary. [www.superlight.com.au](http://www.superlight.com.au) [www.superlight.co.nz](http://www.superlight.co.nz)

**SUPERLIGHT**