



SUPERLIGHT HLP7477 SURFACE/SUSPENDED LINEAR LED MOUNTING PROFILE

SUPERLIGHT HLP7477 is a professional LED extrusion for suspended linear lighting, continuous lighting installations & other architectural projects. SUPERLIGHT HLP7477 can accommodate integral LED driver.

Profile Dimensions
74x77mm

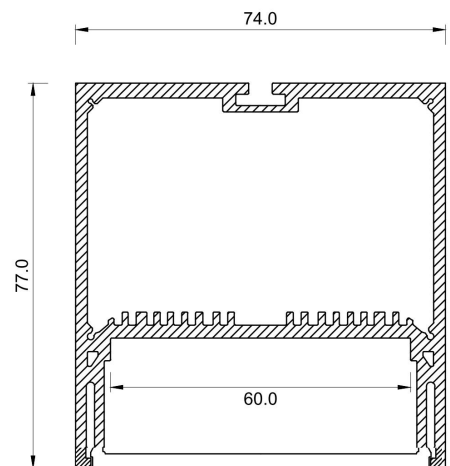
Standard Profile Length
Custom lengths as required

Installation Options
Surface Mounted
Embedded Installation
Wire Suspended/Rod
Suspended

Optional Accessories
End Cap Kit
Wire Suspension Kit
Splice Joiner Kit

Lens/Diffuser
Opal PMMA Acrylic diffuser
insert

Available Finishes
Anodised Silver
Matt Black / Matt White
Dulux Powdercoat Options



Customised Profiles can be designed and made to order on a bespoke basis. Contact our representative for more information. Please re-confirm product details prior to ordering. Actual specifications ordered may vary. www.superlight.com.au www.superlight.co.nz

SUPERLIGHT