



SUPERLIGHT HLP0033 INGROUND LED MOUNTING PROFILE

Linear LED lighting profile designed for inground and in-floor installations. SUPERLIGHT HLP0033 is supplied with solid polycarbonate diffuser designed for highly trafficable areas.

Profile Dimensions
27x11mm

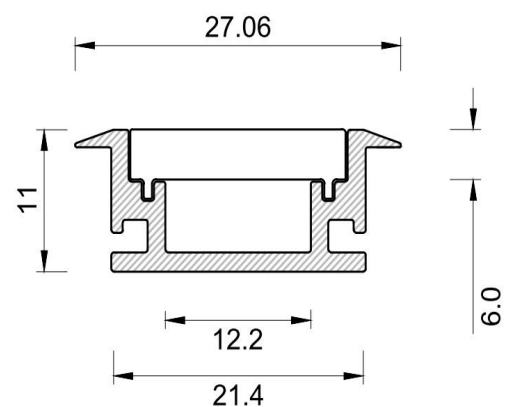
Standard Profile Length
Custom lengths as required

Installation Options
Recessed Inground / In-Floor Installations

Optional Accessories
End Cap Kit

Lens/Diffuser
Dual thickness toughened solid polycarbonate diffuser

Available Finishes
Anodised Silver
Dulux Powdercoat



Customised Profiles can be designed and made to order on a bespoke basis. Contact our representative for more information. Please re-confirm product details prior to ordering. Actual specifications ordered may vary. www.superlight.com.au www.superlight.co.nz

SUPERLIGHT