

SUPERLIGHT HLPO037 GLASS SHELF MOUNTING PROFILE

Linear LED Shelf Bracket Profile – 63.8x33.8mm Edge Illumination to suit 8mm Shelf. SUPERLIGHT HLPO037 is designed to be embedded into the wall during construction to support LED edge illumination including a glass shelf.

Profile Dimensions
63.8x33.8mm

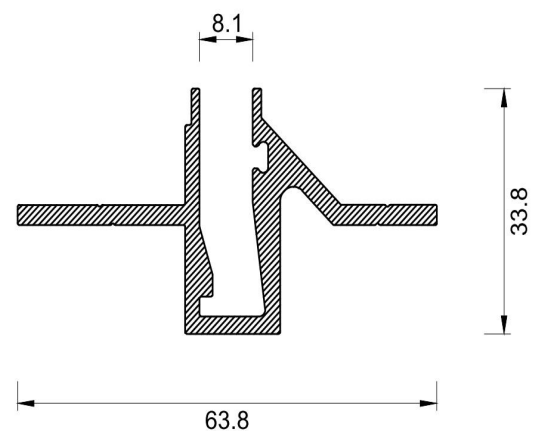
Standard Profile Length
Custom lengths as required

Installation Options
Wall Embedded Installation
Shelf Bracket

Optional Accessories
Glass shelf by others

Lens/Diffuser
Designed to fit 8mm glass shelf (glass shelf typically supplied by others)

Available Finishes
Anodised Silver
Polished Chrome Plated
Dulux Powdercoat



Customised Profiles can be designed and made to order on a bespoke basis. Contact our representative for more information. Please re-confirm product details prior to ordering. Actual specifications ordered may vary. www.superlight.com.au www.superlight.co.nz

SUPERLIGHT