

SUPERLIGHT HLP3121 CORNER LED LIGHTING WITH OPAL DIFFUSER

SUPERLIGHT HLP3121 is a corner mounting profile for achieving 45-degree installation. The design allows it to incorporate wider LED strips and modules. Ideal for joinery, task lighting, display cases, workstations and more. Metal clips are available as an option.

Profile Dimensions
46x18mm

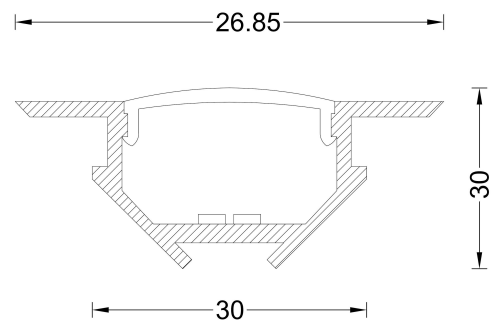
Standard Profile Length
Custom lengths as required

Installation Options
Surface Mounted
Corner Installation
45-degree fixing

Optional Accessories
End Cap Kit
Steel Fixing Clips

Lens/Diffuser
Opal polycarbonate diffuser insert

Available Finishes
Anodised Silver
Matt Black or Gloss Black
Custom Dulux Powdercoat



Customised Profiles can be designed and made to order on a bespoke basis. Contact our representative for more information. Please re-confirm product details prior to ordering. Actual specifications ordered may vary. www.superlight.com.au www.superlight.co.nz

SUPERLIGHT