

SUPERLIGHT HLP3354 PLASTER TRIMLESS RECESSED LED LIGHTING

SUPERLIGHT HLP3354 is an architectural lighting profile designed to be plaster set into walls and ceilings. Once installed, result is a seamless integration of the lighting profile into the construction element.

Profile Dimensions
40x40mm

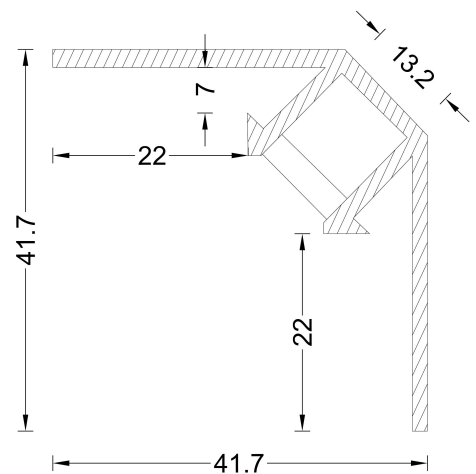
Standard Profile Length
Custom lengths as required

Installation Options
Plaster Trimless Installation
Internal Edge/Corner of wall
or construction element

Optional Accessories
End Cap Kit

Lens/Diffuser
Opal polycarbonate diffuser
insert

Available Finishes
Anodised Silver
Powdercoated by request



Customised Profiles can be designed and made to order on a bespoke basis. Contact our representative for more information. Please re-confirm product details prior to ordering. Actual specifications ordered may vary. www.superlight.com.au www.superlight.co.nz

SUPERLIGHT