



SUPERLIGHT HLP3413 TOUGHENED LINEAR LIGHTING PROFILE

SUPERLIGHT HLP3413 is a solid PMMA acrylic profile with one piece encapsulated structure, suitable for creating IP67 or IP68 luminaires for indoor and outdoor lighting projects.

Profile Dimensions
22x18mm

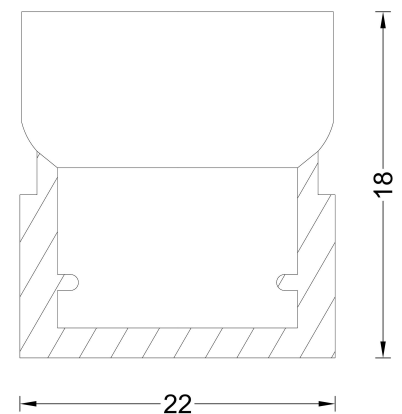
Standard Profile Length
Custom lengths as required

Installation Options
Surface Mounted

Optional Accessories
End Cap Kit
Steel Mounting Clips
Aluminium Extrusion Track - See SUPERLIGHT HLP3414 System

Lens/Diffuser
One-piece PMMA Acrylic Extrusion

Available Finishes
White Opal



Customised Profiles can be designed and made to order on a bespoke basis. Contact our representative for more information. Please re-confirm product details prior to ordering. Actual specifications ordered may vary. www.superlight.com.au www.superlight.co.nz

SUPERLIGHT