



SUPERLIGHT HLP3417 TOUGHENED LINEAR LIGHTING PROFILE

SUPERLIGHT HLP3417 is a solid PMMA acrylic profile with one piece encapsulated structure, suitable for creating IP67 or IP68 luminaires for indoor and outdoor lighting projects.

Profile Dimensions
27.2x26.8mm

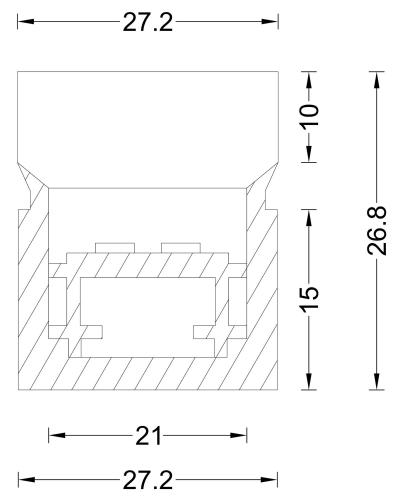
Standard Profile Length
Custom lengths as required

Installation Options
Surface Mounted

Optional Accessories
End Cap Kit
Steel Mounting Clips
Aluminium Extrusion Track
Systems - See SUPERLIGHT
HLP3418 System

Lens/Diffuser
One-piece PMMA Acrylic
Extrusion

Available Finishes
White Opal



Customised Profiles can be designed and made to order on a bespoke basis. Contact our representative for more information. Please re-confirm product details prior to ordering. Actual specifications ordered may vary. www.superlight.com.au www.superlight.co.nz

SUPERLIGHT