

SUPERLIGHT HLP3418 TOUGHENED LINEAR LIGHTING PROFILE SYSTEM

SUPERLIGHT HLP3418 consists of a solid toughened PMMA profile and extruded aluminium mounting track. SUPERLIGHT HLP3418 is trafficable and vandal proof making it suitable for inground lighting, IP67/ IP68 installations, industrial lighting and other harsh

Profile Dimensions
55.6x63.7mm

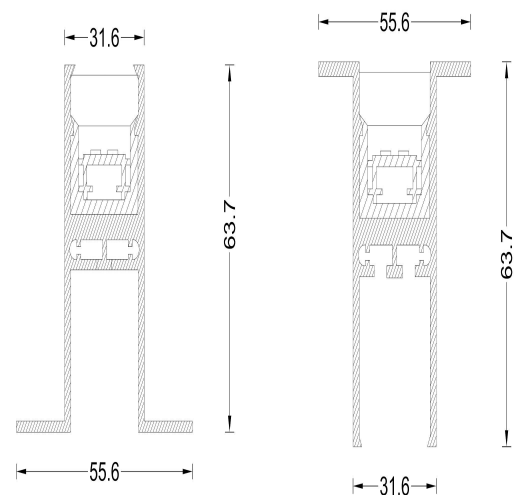
Standard Profile Length
Custom lengths as required

Installation Options
Surface Mounted
Embedded / Recessed
Inground Installation

Optional Accessories
End Cap Kit
Removable Aluminum Insert for Fitting Light Source

Lens/Diffuser
One-piece PMMA Acrylic Extrusion

Available Finishes
Anodised Silver
White
Black
Dulux Powdercoat



Customised Profiles can be designed and made to order on a bespoke basis. Contact our representative for more information. Please re-confirm product details prior to ordering. Actual specifications ordered may vary. www.superlight.com.au www.superlight.co.nz

SUPERLIGHT