



SUPERLIGHT HLP3612 ROUND LINEAR LED MOUNTING PROFILE

SUPERLIGHT HLP3612 is a round extrusion profile for use in architectural lighting projects. Special fixing and mounting options can be applied for any application. Supplied with opal diffuser.

Profile Dimensions
18.29x16.8mm

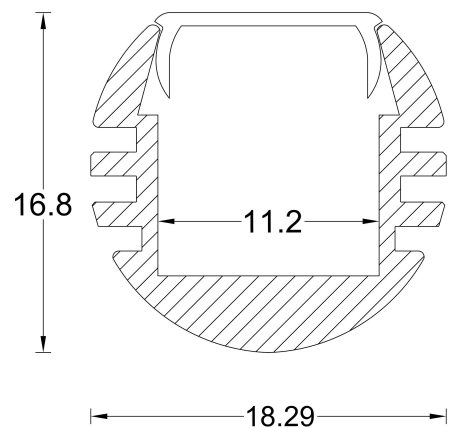
Standard Profile Length
Custom lengths as required

Installation Options
Joinery Installation
Special Fixing Arrangements
Suspended/Surface Mounted

Optional Accessories
End Cap Kit
Mounting Clips

Lens/Diffuser
Opal PMMA Acrylic diffuser insert

Available Finishes
Anodised Silver
Dulux Powdercoat Options
Optional Anodised Finishes
Chrome Plated



Customised Profiles can be designed and made to order on a bespoke basis. Contact our representative for more information. Please re-confirm product details prior to ordering. Actual specifications ordered may vary. www.superlight.com.au www.superlight.co.nz

SUPERLIGHT