

SUPERLIGHT HLP3642 IP67 WATERPROOF PLASTER TRIMLESS MOUNTING

SUPERLIGHT HLP3642 is a lighting extrusion designed for trimless integration into plasterboard. The water-tight clip in diffuser allows it to be used in all areas including bathrooms and wet areas.

Profile Dimensions
45.69x15mm

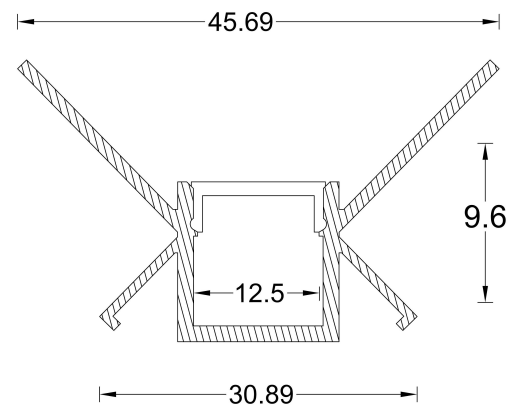
Standard Profile Length
Custom lengths as required

Installation Options
Plaster Trimless Installation
Gyprock / Gypsum Integrated

Optional Accessories
End Cap Kit

Lens/Diffuser
Opal PMMA Acrylic diffuser
insert

Available Finishes
Anodised Silver
Matt Black / Matt White
Dulux Powdercoat Options



Customised Profiles can be designed and made to order on a bespoke basis. Contact our representative for more information. Please re-confirm product details prior to ordering. Actual specifications ordered may vary. www.superlight.com.au www.superlight.co.nz

SUPERLIGHT