



SUPERLIGHT HLP3650 CORNER ROUND LED MOUNTING PROFILE

SUPERLIGHT HLP3650 is a 45-degree extrusion for corner fixing in joinery and architectural lighting projects. Supplied with opal diffuser.

Profile Dimensions

16x16mm

Standard Profile Length

Custom lengths as required

Installation Options

45-degree Corner Installation
Surface Mounted
Joinery Lighting

Optional Accessories

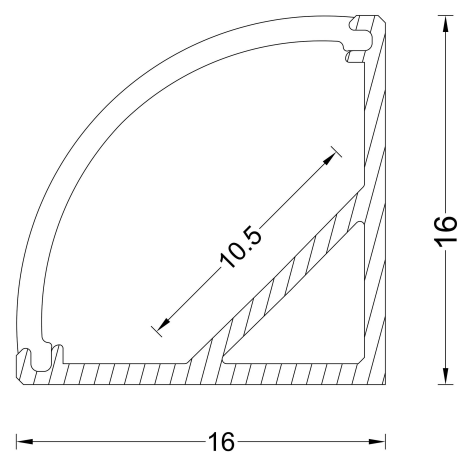
End Cap Kit
Mounting Clips
90-Degree Corner Connector

Lens/Diffuser

Opal PMMA Acrylic diffuser insert

Available Finishes

Anodised Silver
Matt Black / Matt White
Dulux Powdercoat Options



Customised Profiles can be designed and made to order on a bespoke basis. Contact our representative for more information. Please re-confirm product details prior to ordering. Actual specifications ordered may vary. www.superlight.com.au www.superlight.co.nz

SUPERLIGHT