



**SUPERLIGHT HLP3654 FLOOR MOUNTED RIGID LED MOUNTING PROFILE**

SUPERLIGHT HLP3654 is a unique extrusion for use in floors and wet areas. The durable diffuser allows the profile to be used in trafficable areas and public spaces.

**Profile Dimensions**  
10x10mm

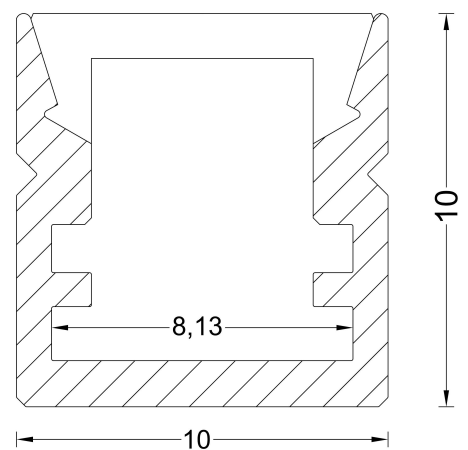
**Standard Profile Length**  
Custom lengths as required

**Installation Options**  
Surface Mounted  
Embedded / Trimless Installation  
In-Floor Installation

**Optional Accessories**  
End Cap Kit  
Mounting Clips

**Lens/Diffuser**  
Opal polycarbonate diffuser insert (trafficable)

**Available Finishes**  
Anodised Silver  
Matt Black / Matt White  
Dulux Powdercoat Options



Customised Profiles can be designed and made to order on a bespoke basis. Contact our representative for more information. Please re-confirm product details prior to ordering. Actual specifications ordered may vary. [www.superlight.com.au](http://www.superlight.com.au) [www.superlight.co.nz](http://www.superlight.co.nz)

**SUPERLIGHT**