



SUPERLIGHT HLP3656 FLOOR MOUNTED RIGID LED MOUNTING PROFILE

SUPERLIGHT HLP3656 is a unique extrusion for use in floors and wet areas. The durable diffuser allows the profile to be used in trafficable areas and public spaces.

Profile Dimensions
10x15mm

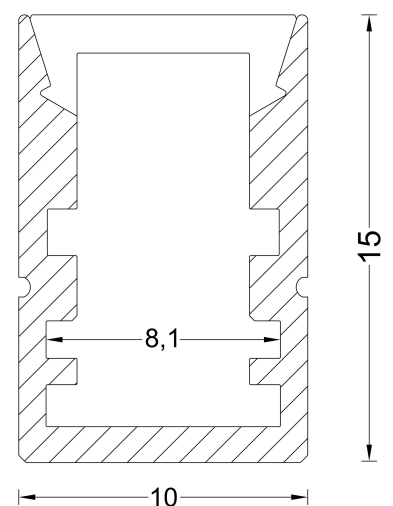
Standard Profile Length
Custom lengths as required

Installation Options
Surface Mounted
Embedded / Trimless Installation
In-Floor Installation

Optional Accessories
End Cap Kit
Mounting Clips

Lens/Diffuser
Opal polycarbonate diffuser insert
(trafficable)

Available Finishes
Anodised Silver
Matt Black / Matt White
Dulux Powdercoat Options



Customised Profiles can be designed and made to order on a bespoke basis. Contact our representative for more information. Please re-confirm product details prior to ordering. Actual specifications ordered may vary. www.superlight.com.au www.superlight.co.nz

SUPERLIGHT