



SUPERLIGHT HLP3666 CORNER LENS LED MOUNTING PROFILE

SUPERLIGHT HLP3666 is a 45-degree extrusion for corner fixing in joinery and architectural lighting projects. Supplied with lens optic diffuser with 60-degree beam angle.

Profile Dimensions
18.1x18.1mm

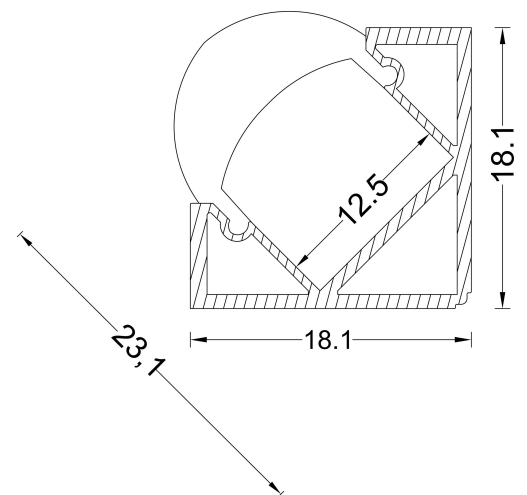
Standard Profile Length
Custom lengths as required

Installation Options
45-degree Corner Installation
Surface Mounted
Joinery Lighting

Optional Accessories
End Cap Kit
Mounting Clips

Lens/Diffuser
Semi-Transparent Acrylic lens
diffuser 60-degree optic

Available Finishes
Anodised Silver
Matt Black / Matt White
Dulux Powdercoat Options



Customised Profiles can be designed and made to order on a bespoke basis. Contact our representative for more information. Please re-confirm product details prior to ordering. Actual specifications ordered may vary. www.superlight.com.au www.superlight.co.nz

SUPERLIGHT