



SUPERLIGHT HLP3670 DEEP LENS LED MOUNTING PROFILE

SUPERLIGHT HLP3670 is a surface mounted extrusion for joinery and architectural lighting projects. Supplied with lens optic diffuser with 60-degree beam angle.

Profile Dimensions
17.3x20.2mm

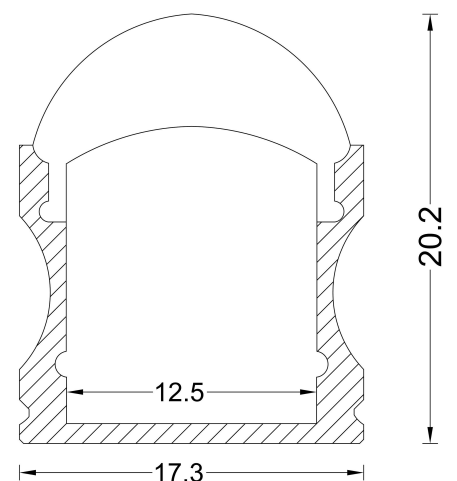
Standard Profile Length
Custom lengths as required

Installation Options
Surface Mounted
Wall Washing / Wall Grazing
Task Lighting

Optional Accessories
End Cap Kit
Mounting Clips

Lens/Diffuser
Semi-Transparent Acrylic lens
diffuser 60-degree optic

Available Finishes
Anodised Silver
Matt Black / Matt White
Dulux Powdercoat Options



Customised Profiles can be designed and made to order on a bespoke basis. Contact our representative for more information. Please re-confirm product details prior to ordering. Actual specifications ordered may vary. www.superlight.com.au www.superlight.co.nz

SUPERLIGHT