



SUPERLIGHT HLP3684 ASYMMETRICAL RECESSED LED MOUNTING PROFILE

SUPERLIGHT HLP3684 is a recessed lighting extrusion with angled internal surface plane. SUPERLIGHT HLP3684 is ideal for applications where an angled or asymmetrical lighting effect is desired.

Profile Dimensions
21x12.5mm

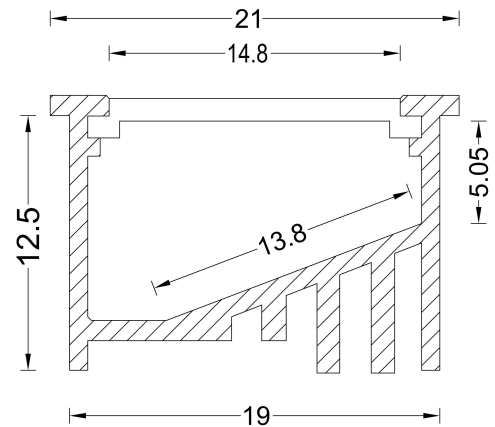
Standard Profile Length
Custom lengths as required

Installation Options
Ceiling Recessed
Wall Recessed
Joinery Recessed

Optional Accessories
End Cap Kit

Lens/Diffuser
Opal PMMA Acrylic diffuser insert

Available Finishes
Anodised Silver
Matt Black / Matt White
Dulux Powdercoat Options



Customised Profiles can be designed and made to order on a bespoke basis. Contact our representative for more information. Please re-confirm product details prior to ordering. Actual specifications ordered may vary. www.superlight.com.au www.superlight.co.nz

SUPERLIGHT