

SUPERLIGHT HLP3688 LED MOUNTING W/ SQUARE CASSETTE DIFFUSER

SUPERLIGHT HLP3086 is a surface mounted extrusion with cassette base and square wrap opal diffuser. Accommodates PCB width up to 16.9mm.

Profile Dimensions
19.7x20mm

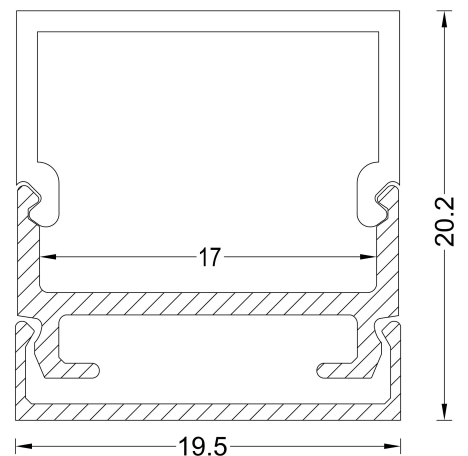
Standard Profile Length
Custom lengths as required

Installation Options
Surface Mounted
Embedded / Trimless
Installation
Joinery Installation

Optional Accessories
End Cap Kit
Mounting Cassette Base

Lens/Diffuser
Opal PMMA Wrap Diffuser

Available Finishes
Anodised Silver
Matt Black / Matt White
Dulux Powdercoat Options



Customised Profiles can be designed and made to order on a bespoke basis. Contact our representative for more information. Please re-confirm product details prior to ordering. Actual specifications ordered may vary. www.superlight.com.au www.superlight.co.nz

SUPERLIGHT