



**SUPERLIGHT HLP3702 SURFACE MOUNTED LED MOUNTING PROFILE**

SUPERLIGHT HLP3702 is a surface mounted slimline extrusion for joinery and other linear lighting applications. Accommodates PCB width up to 16mm wide. Supplied with square wrap diffuser.

**Profile Dimensions**  
19.4x11.6mm

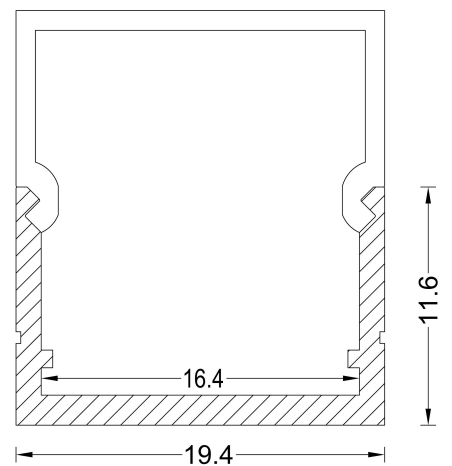
**Standard Profile Length**  
Custom lengths as required

**Installation Options**  
Surface Mounted  
Embedded / Trimless  
Installation  
Joinery Installation

**Optional Accessories**  
End Cap Kit  
Mounting Clips

**Lens/Diffuser**  
Opal PMMA Acrylic diffuser  
insert

**Available Finishes**  
Anodised Silver  
Matt Black / Matt White  
Dulux Powdercoat Options



Customised Profiles can be designed and made to order on a bespoke basis. Contact our representative for more information. Please re-confirm product details prior to ordering. Actual specifications ordered may vary. [www.superlight.com.au](http://www.superlight.com.au) [www.superlight.co.nz](http://www.superlight.co.nz)

**SUPERLIGHT**