



**SUPERLIGHT HLP3710 ROUNDED SURFACE LED MOUNTED PROFILE HEATSINK**

SUPERLIGHT HLP3710 is an architectural extrusion for professional installation of LED lighting. Accommodates PCB width up to 15mm. Supplied with half-round opal diffuser.

**Profile Dimensions**  
18x14.9mm

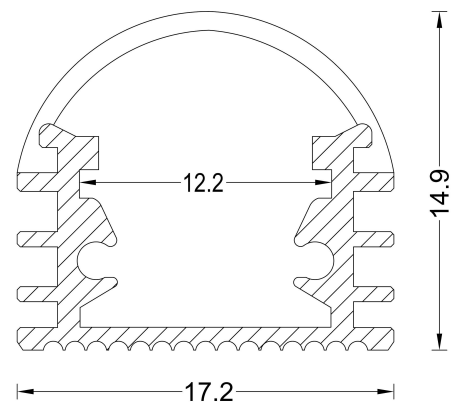
**Standard Profile Length**  
Custom lengths as required

**Installation Options**  
Surface Mounted Installation  
Joinery Installation

**Optional Accessories**  
End Cap Kit  
Mounting Clips

**Lens/Diffuser**  
Opal PMMA Acrylic diffuser  
insert

**Available Finishes**  
Anodised Silver  
Black / White / Custom  
Dulux Powdercoat Options  
Chrome Plated



Customised Profiles can be designed and made to order on a bespoke basis. Contact our representative for more information. Please re-confirm product details prior to ordering. Actual specifications ordered may vary. [www.superlight.com.au](http://www.superlight.com.au) [www.superlight.co.nz](http://www.superlight.co.nz)

**SUPERLIGHT**