



**SUPERLIGHT HLP3716 RECESSED WIDE LED MOUNTING PROFILE**

SUPERLIGHT HLP3716 is a recessed extrusion for LED lighting in joinery, walls and ceilings. The discrete trim lip allows the profile to be recessed into any material. Supplied with opal diffuser.

**Profile Dimensions**  
30.3x10mm

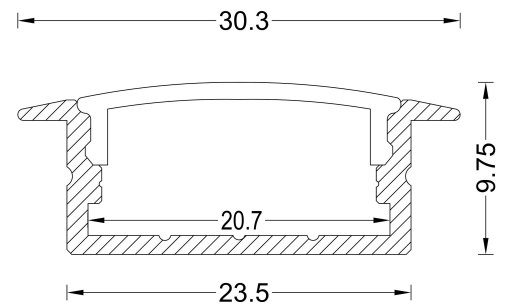
**Standard Profile Length**  
Custom lengths as required

**Installation Options**  
Recess Installation  
Embedded installation

**Optional Accessories**  
End Cap Kit

**Lens/Diffuser**  
Opal PMMA Acrylic diffuser insert

**Available Finishes**  
Anodised Silver  
Matt Black / Matt White  
Dulux Powdercoat Options



Customised Profiles can be designed and made to order on a bespoke basis. Contact our representative for more information. Please re-confirm product details prior to ordering. Actual specifications ordered may vary. [www.superlight.com.au](http://www.superlight.com.au) [www.superlight.co.nz](http://www.superlight.co.nz)

**SUPERLIGHT**