



SUPERLIGHT HLP3736 ROUND LINEAR LED MOUNTING PROFILE

SUPERLIGHT HLP3736 is a round architectural lighting extrusion for use in various lighting projects. can be used for wardrobe lighting as well as other effects and installations.

Profile Dimensions
20x20mm

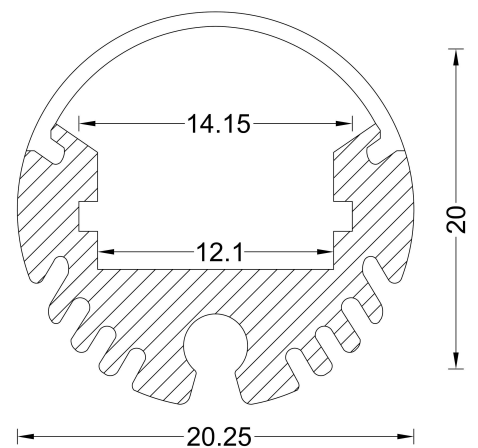
Standard Profile Length
Custom lengths as required

Installation Options
Special Fixing Options
Wardrobe and Joinery
Installation
Freestanding
Wire Suspended

Optional Accessories
End Cap Kit
Steel Fixing Clips
Wire Suspension Kit

Lens/Diffuser
Round opal PMMA Acrylic
diffuser insert

Available Finishes
Anodised Silver
Black / White / Custom
Dulux Powdercoat Options
Chrome Plated
Polished Brass Finish



SUPERLIGHT

Customised Profiles can be designed and made to order on a bespoke basis. Contact our representative for more information. Please re-confirm product details prior to ordering. Actual specifications ordered may vary. www.superlight.com.au www.superlight.co.nz