



SUPERLIGHT HLP3740 ROUND DOME LED MOUNTING PROFILE

SUPERLIGHT HLP3740 is a surface mounted extrusion with round opal diffuser cover. Can accommodate PCB width up to 24mm.

Profile Dimensions
26.1x23mm

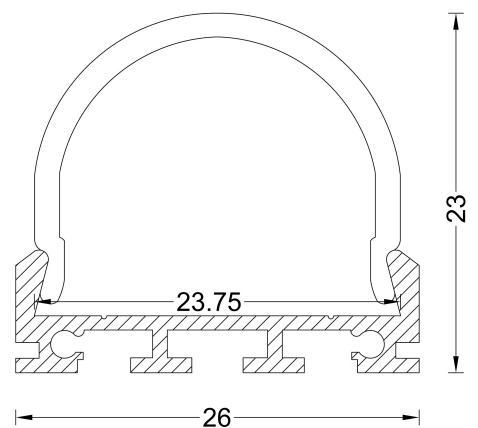
Standard Profile Length
Custom lengths as required

Installation Options
Surface Mounted
Joinery Installation

Optional Accessories
End Cap Kit
Steel Fixing Clips
Wire Suspension Kit

Lens/Diffuser
Round opal PMMA Acrylic
diffuser insert

Available Finishes
Anodised Silver
Matt Black / Matt White
Dulux Powdercoat Options



Customised Profiles can be designed and made to order on a bespoke basis. Contact our representative for more information. Please re-confirm product details prior to ordering. Actual specifications ordered may vary. www.superlight.com.au www.superlight.co.nz

SUPERLIGHT