



SUPERLIGHT HLP3758 CEILING RECESSED LED MOUNTING PROFILE

SUPERLIGHT HLP3758 is a recessed extrusion for LED lighting in joinery, walls and ceilings. The discrete trim lip allows the profile to be recessed into any material. Supplied with opal diffuser.

Profile Dimensions
34.9x23.5mm

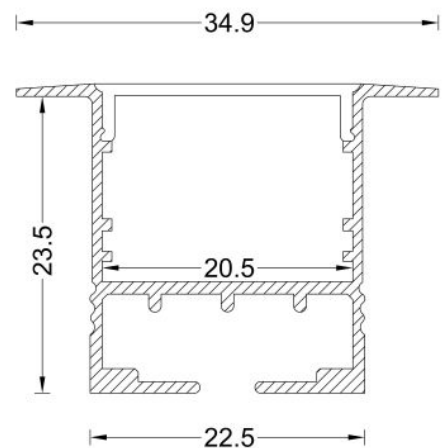
Standard Profile Length
Custom lengths as required

Installation Options
Recess Installation
Embedded installation

Optional Accessories
End Cap Kit
Ceiling Spring Clips (Set 2pcs)

Lens/Diffuser
Opal PMMA Acrylic diffuser insert

Available Finishes
Anodised Silver
Matt Black / Matt White
Dulux Powdercoat Options



Customised Profiles can be designed and made to order on a bespoke basis. Contact our representative for more information. Please re-confirm product details prior to ordering. Actual specifications ordered may vary. www.superlight.com.au www.superlight.co.nz

SUPERLIGHT