



SUPERLIGHT HLP3766 ROUNDED TUBULAR LED MOUNTING PROFILE

SUPERLIGHT HLP3766 is an architectural extrusion for professional installation of LED lighting. Tubular design, accommodates PCB width up to 13.5mm. Optional diffuser configurations.

Profile Dimensions
18.58x15mm

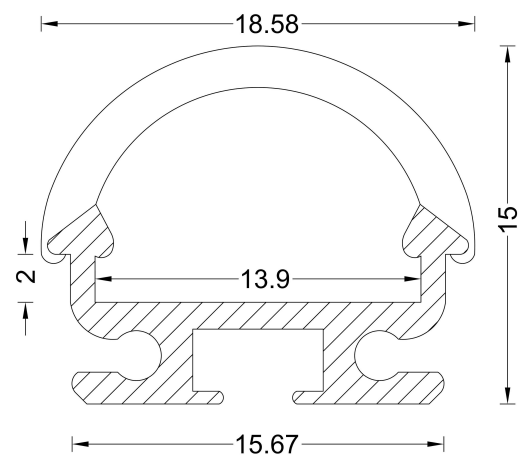
Standard Profile Length
Custom lengths as required

Installation Options
Surface Mounted
Joinery Installation

Optional Accessories
End Cap Kit
Mounting Clips

Lens/Diffuser
Opal Diffuser
Semi Translucent Diffuser
Clear Diffuser

Available Finishes
Anodised Silver
Black / White / Custom
Dulux Powdercoat Options
Chrome Plated



Customised Profiles can be designed and made to order on a bespoke basis. Contact our representative for more information. Please re-confirm product details prior to ordering. Actual specifications ordered may vary. www.superlight.com.au www.superlight.co.nz

SUPERLIGHT