



SUPERLIGHT HLP3772 SHELF INSERT BRACKET - LED MOUNTING PROFILE

SUPERLIGHT HLP3772 is a discrete extrusion designed to accommodate a glass or perspex shelf. LED light source is fitted within the profile to illuminate the shelf. Ideal for displays and showrooms.

Profile Dimensions

14.5x11.4mm

Installation Options

Surface Mounted
Glass Shelf Support

Lens/Diffuser

SUPERLIGHT HLP3772 is designed to suit glass shelf

Optional Accessories

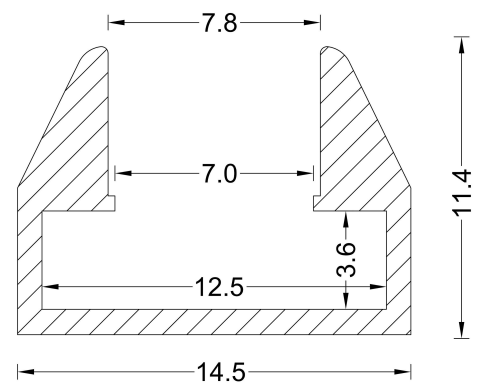
End Caps
Special Mounting Brackets by Request

Available Finishes

Anodised Silver
Black / White / Custom
Dulux Powdercoat Options
Chrome Plated

Standard Profile Length

Custom lengths as required



Customised Profiles can be designed and made to order on a bespoke basis. Contact our representative for more information. Please re-confirm product details prior to ordering. Actual specifications ordered may vary. www.superlight.com.au www.superlight.co.nz

SUPERLIGHT