



SUPERLIGHT HLP3780 SURFACE LED MOUNTING PROFILE

SUPERLIGHT HLP3780 is a surface mounted slimline extrusion for joinery and other linear lighting applications. Accommodates PCB width up to 20mm wide. Supplied with opal diffuser.

Profile Dimensions
25x18mm

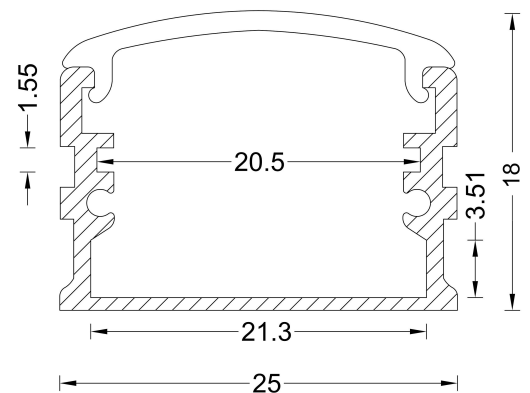
Standard Profile Length
Custom lengths as required

Installation Options
Surface Mounted
Embedded Installation
Joinery Installation

Optional Accessories
End Cap Kit
Mounting Clips

Lens/Diffuser
Opal PMMA Acrylic diffuser
insert

Available Finishes
Anodised Silver
Matt Black / Matt White
Dulux Powdercoat Options



Customised Profiles can be designed and made to order on a bespoke basis. Contact our representative for more information. Please re-confirm product details prior to ordering. Actual specifications ordered may vary. www.superlight.com.au www.superlight.co.nz

SUPERLIGHT