



SUPERLIGHT HLP3784 ROUND 320-DEGREE OPAL LINEAR LED PROFILE

SUPERLIGHT HLP3784 is a round tubular profile for continuous linear lighting. Ideal for schools, offices, showrooms and commercial projects. Custom features available.

Profile Dimensions
60x60mm

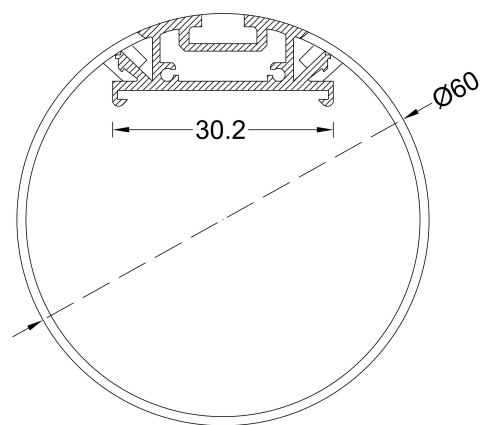
Standard Profile Length
Custom lengths as required

Installation Options
Wire Suspended
Surface Mounted
Special Fixing Methods
Available

Optional Accessories
End Cap Kit
Mounting Clips
Wire Suspension Kit

Lens/Diffuser
60mm Opal Tubular Acrylic
Wrap/Tube Diffuser

Available Finishes
Anodised Silver
Matt Black / Matt White
Dulux Powdercoat Options



Customised Profiles can be designed and made to order on a bespoke basis. Contact our representative for more information. Please re-confirm product details prior to ordering. Actual specifications ordered may vary. www.superlight.com.au www.superlight.co.nz

SUPERLIGHT