

### SUPERLIGHT HLP3796 CEILING RECESSED LED MOUNTING PROFILE

SUPERLIGHT HLP3796 is a recessed extrusion for LED lighting, in ceilings, joinery, walls. The discrete trim lip allows the profile to be recessed into any material. Supplied with opal diffuser.

**Profile Dimensions**  
38x30mm

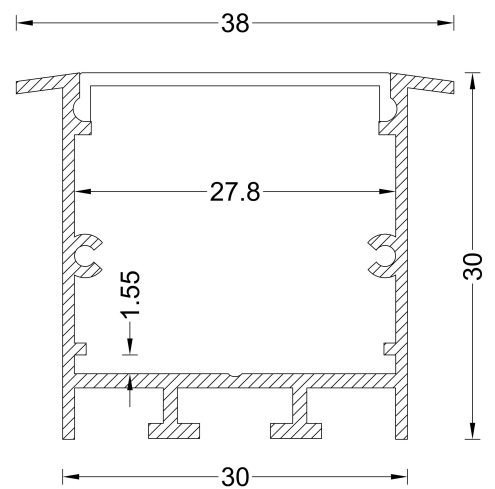
**Standard Profile Length**  
Custom lengths as required

**Installation Options**  
Ceiling or Wall Recessed  
Installation  
Embedded installation

**Optional Accessories**  
End Cap Kit

**Lens/Diffuser**  
Opal PMMA Acrylic diffuser  
insert

**Available Finishes**  
Anodised Silver  
Matt Black / Matt White  
Dulux Powdercoat Options  
Custom Finishes Available



Customised Profiles can be designed and made to order on a bespoke basis. Contact our representative for more information. Please re-confirm product details prior to ordering. Actual specifications ordered may vary. [www.superlight.com.au](http://www.superlight.com.au) [www.superlight.co.nz](http://www.superlight.co.nz)

**SUPERLIGHT**